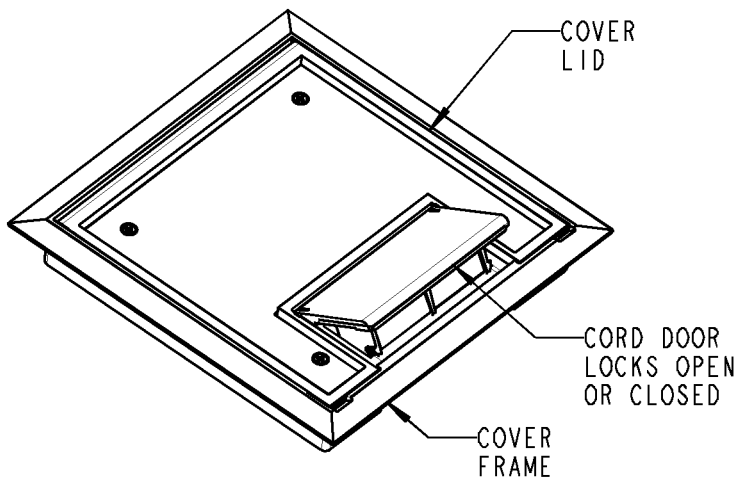


SECTION A-A



- 1) FLOOR BOX COVER DESIGNED FOR USE WITH 665 SERIES CONCEALED SERVICE FLOOR BOXES. MADE FROM HIGH STRENGTH POLYCARBONATE WITH 5/32 STEEL TOP PLATE.
- 2) MOPTIGHT. FACTORY INSTALLED GASKETS. EXCEEDS UL SCRUB-WATER REQUIREMENTS FOR TILE, CARPET AND WOOD FLOORS.
- 3) AVAILABLE IN FOUR COLORS.
 - XXX DENOTES COLOR
 - BLK = BLACK
 - GRY = GRAY
 - BGE = BEIGE
 - BRN = BROWN

GENERAL NOTES	Thomas & Betts			
1. DIMENSIONS IN PARENTHESES () ARE IN METRIC UNITS.	DESCRIPTION: 665-CST-SW-XXX CONCEALED SERVICE TOP			
REVISIONS	ORIGINAL PROJECT NO / (ERN NO)	SHEET NO:	REV. NO:	DRAWING NO:
SEE ERN (....) FOR APPROVAL SIGNATURES	UD55453 / (2002995)	1 OF 1	0	WSD-000058
PROJECT NO:				